

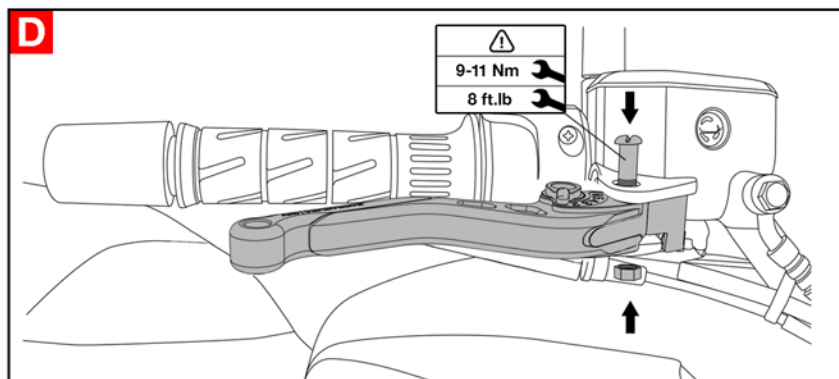
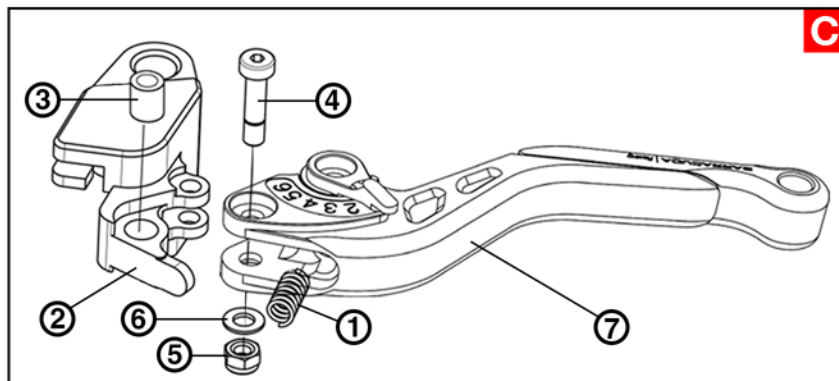
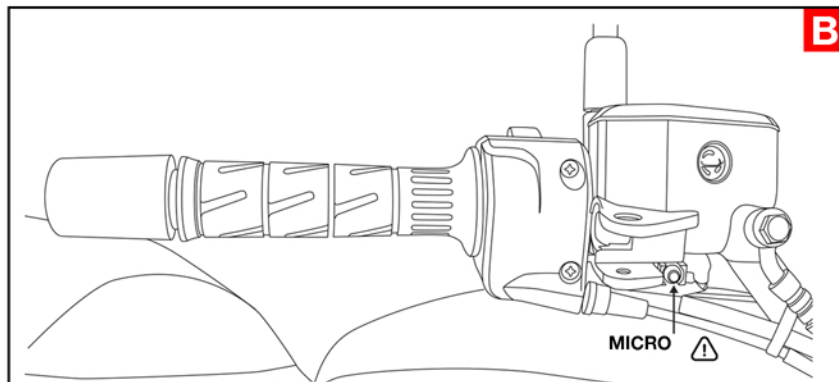
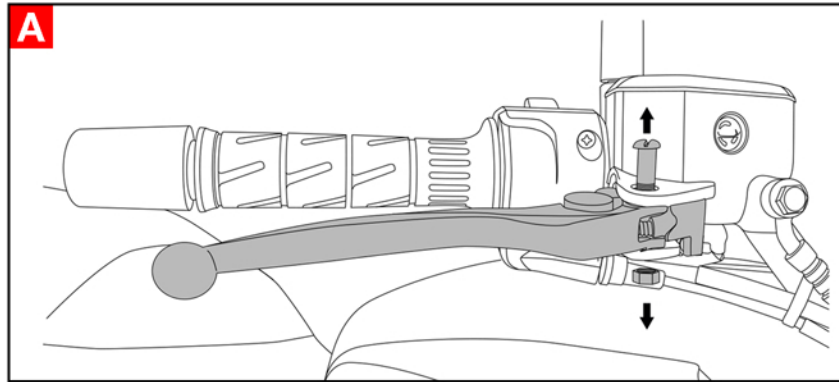
## ASSEMBLING INSTRUCTION

### BRAKE LEVER UNIVERSAL TYPE FITTING

WWW.BARRACUDAMOTO.COM

#### COMPONENTS

- |   |  |   |  |  |   |   |
|---|--|---|--|--|---|---|
| <p><b>1.</b> SPRING LEVER<br/>LEVA A MOLLA<br/>MUELLE DE LA MANETA<br/>HEBEL FEDER<br/>LEVIER RESSORT</p> | <p><b>2.</b> ADAPTER<br/>ADATTATORE<br/>HERRAJE<br/>ADAPTER<br/>ADAPTEUR</p> | <p><b>3.</b> FRICTION BUSH<br/>BOCCOLA DI FRIZIONE<br/>CASQUILLO DE FRICCIÓN<br/>FRIKTIONBUCHSE<br/>DOUILLE DE FRICTION</p> | <p><b>4.</b> M5 SCREW<br/>VITE M5<br/>TORNILLO M5<br/>M5 SCHRAUBE<br/>VIS M5</p> | <p><b>5.</b> M5 NUT<br/>DADO M5<br/>TUERCA M5<br/>M5 MUTTER<br/>ÉCROU M5</p> | <p><b>6.</b> M5 WASHER<br/>RONDELLA M5<br/>ARANDELA M5<br/>M5 U-SCHEIBE<br/>RONDELLE M5</p> | <p><b>7.</b> LEVER<br/>LEVA<br/>MANETA<br/>HEBEL<br/>LEVIER</p> |
|---|--|---|--|--|---|---|



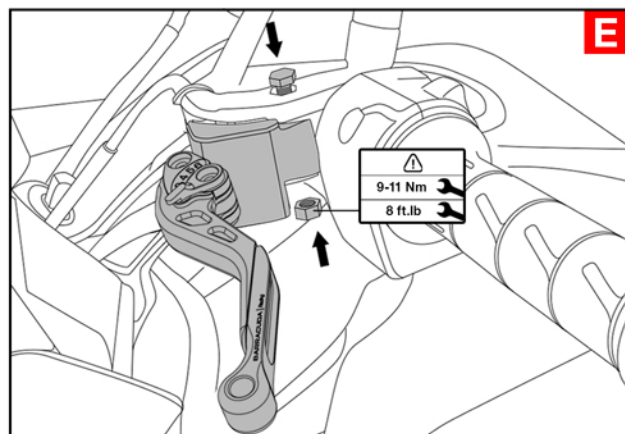
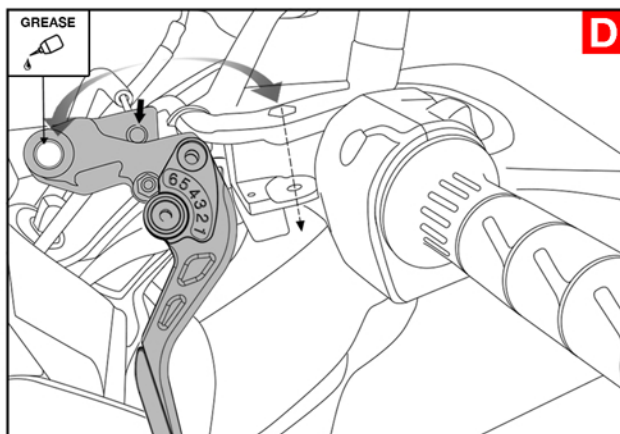
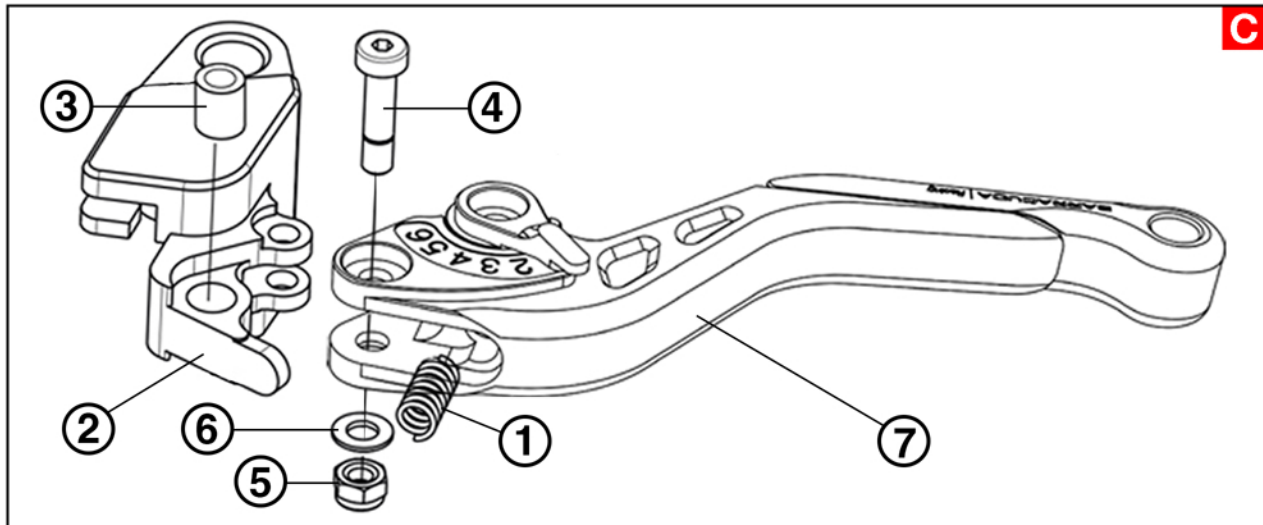
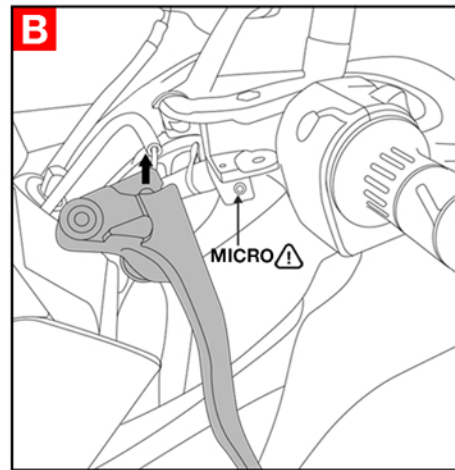
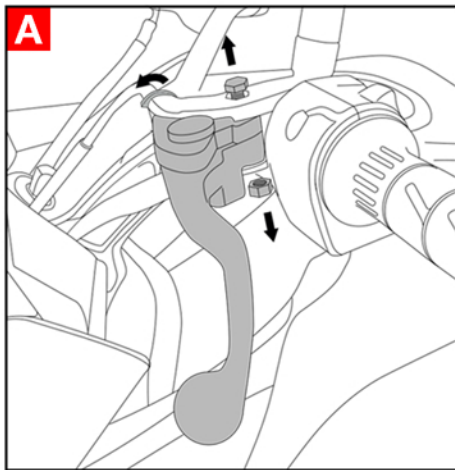
## ASSEMBLING INSTRUCTION

### CLUTCH LEVER UNIVERSAL TYPE FITTING

WWW.BARRACUDAMOTO.COM

## COMPONENTS

- |   |   |   |
|---|---|---|
| <p><b>1.</b> SPRING LEVER<br/>LEVA A MOLLA<br/>MUELLE DE LA MANETA<br/>HEBEL FEDER<br/>LEVIER RESSORT</p> | <p><b>3.</b> FRICTION BUSH<br/>BOCCOLA DI FRIZIONE<br/>CASQUILLO DE FRICCIÓN<br/>FRIKTIONBUCHSE<br/>DOUILLE DE FRICTION</p> | <p><b>5.</b> M5 NUT<br/>DADO M5<br/>TUERCA M5<br/>M5 MUTTER<br/>ÉCROU M5</p>                |
| <p><b>2.</b> ADAPTER<br/>ADATTATORE<br/>HERRAJE<br/>ADAPTER<br/>ADAPTEUR</p>                              | <p><b>4.</b> M5 SCREW<br/>VITE M5<br/>TORNILLO M5<br/>M5 SCHRAUBE<br/>VIS M5</p>  | <p><b>6.</b> M5 WASHER<br/>RONDELLA M5<br/>ARANDELA M5<br/>M5 U-SCHEIBE<br/>RONDELLE M5</p> |
| <p><b>7.</b> LEVER<br/>LEVA<br/>MANETA<br/>HEBEL<br/>LEVIER</p>   |   |   |



Die Austauschhandhebel, Typ BL gemäß Gutachten 22-TAAS-0485/SRA sind geeignet zum Anbau an den nachfolgend aufgeführten Fahrzeugtypen:

**BARRACUDA s.r.l. <ABE 91927, Typ BL>**

**Vehicle manufacturer : APRILIA**

Model	Baujahre Year	Fahrzeugtyp Vehicle type	Handelsbezeichnung Commercial model description	EG-TG-Nr, ABE-Nr. Vehicle Homologation	Bremshebel Brake Lever Number	Kupplungshebel Clutch Lever Number	KIT code (Brake/ Clutch)
Dorsoduro 750 / ABS	2008 - 2016	SM	SMV 750 Dorsoduro	e11*2002/24*0669	<b>B-F23</b>	<b>C-C23</b>	<b>AD7127</b>
RSV4	2009 - 2015	RK	RSV4 R /Factory	e11*2002/24*0749	<b>B-F11</b>	<b>C-V4</b>	<b>AR1127</b>
RSV4	2015 - 2019	KE	RSV4 RF	e11*168/2013*00253	<b>B-F11</b>	<b>C-V4</b>	<b>AR1127</b>
Tuono V4	2011 - 2015	TY	Tuono V4 R / Factory	e11*2002/24*1156	<b>B-DB80</b>	<b>C-V4</b>	<b>AT1127</b>
Tuono V4	2016 - 2019	KG	Tuono V4 1100 Factory	e11*168/2013*00255	<b>B-F11</b>	<b>C-V4</b>	<b>AR1127</b>
Tuono 660	2021 →	KS	Tuono 660 ( A2 )	e49*168/2013*00060	<b>B-F11</b>	<b>C-V4</b>	<b>AR1127</b>
Tuono 660	2021 →	KS	Tuono 660 ( A3 )	e49*168/2013*00059	<b>B-F11</b>	<b>C-V4</b>	<b>AR1127</b>
RS 660	2020 →	KS	Tuono 660 ( A3 )	e49*168/2013*00059	<b>B-F11</b>	<b>C-V4</b>	<b>AR1127</b>

**Fahrzeughersteller**

**Vehicle manufacturer : BMW**

Model	Baujahre Year	Fahrzeugtyp Vehicle type	Handelsbezeichnung Commercial model description	EG-TG-Nr, ABE-Nr. Vehicle Homologation	Bremshebel Brake Lever Number	Kupplungshebel Clutch Lever Number	KIT code (Brake/ Clutch)
R 1200GS	2015 - 2017	1G12	R 1200GS	e1*168/2013*00006	<b>B-B151</b>	<b>C-C151</b>	<b>BT1127</b>
R 1200R	2015 - 2017	R12WR	R 1200R	e1*2002/24*0650	<b>B-B151</b>	<b>C-C151</b>	<b>BT1127</b>
R 1200R	2015 - 2017	1R12	R 1200R	e1*168/2013*00008	<b>B-B151</b>	<b>C-C151</b>	<b>BT1127</b>
R NineT	2014 - 2016	R1ST	R NineT	e1*2002/24*0230	<b>B-B151</b>	<b>C-C151</b>	<b>BT1127</b>

**Fahrzeughersteller**

**Vehicle manufacturer : DUCATI**

Model	Baujahre Year	Fahrzeugtyp Vehicle type	Handelsbezeichnung Commercial model description	EG-TG-Nr, ABE-Nr. Vehicle Homologation	Bremshebel Brake Lever Number	Kupplungshebel Clutch Lever Number	KIT code (Brake/ Clutch)
848	2008 - 2010	H6	848	e3*2002/24*0475	<b>B-F99</b>	<b>C-H11</b>	<b>DP8127</b>
848	2011 - 2014	H6	848 EVO	e3*2002/24*0475	<b>B-F99</b>	<b>C-H11</b>	<b>DP8127</b>
1098	2007 - 2009	H7	1098 /R /S	e3*2002/24*0436	<b>B-F99</b>	<b>C-H11</b>	<b>DP8127</b>
1198	2009 - 2011	H7	1198 /R /S /SP	e3*2002/24*0436	<b>B-F99</b>	<b>C-H11</b>	<b>DP8127</b>
1199 Panigale	2012 - 2016	H8	1199 Panigale /R/S/Tricolore	e3*2002/24*0586	<b>B-F99</b>	<b>C-H11</b>	<b>DP8127</b>
1299 Panigale	2014 - 2020	H9	1299 Panigale /R/S	e49*2002/24*0001	<b>B-F99</b>	<b>C-H11</b>	<b>DP8127</b>
899 Panigale	2014 - 2015	H8	899 Panigale	e3*2002/24*0586	<b>B-F99</b>	<b>C-H11</b>	<b>DP8127</b>
959 Panigale	2014 - 2017	HA	959 Panigale	e49*168/2013*00003	<b>B-F99</b>	<b>C-H11</b>	<b>DP8127</b>
Panigale V2	2020 →	1H	Panigale V2	e3*168/2013*00021	<b>B-F99</b>	<b>C-H11</b>	<b>DP8127</b>
Panigale V2	2020 →	1H	Panigale V2	e3*168/2013*00022	<b>B-F99</b>	<b>C-H11</b>	<b>DP8127</b>
Panigale V4	2018 3 2020	DA	Panigale V4/S/R	e49*168/2013*00037	<b>B-F99</b>	<b>C-H11</b>	<b>DP8127</b>
Diavel	2010 - 2013	G1	Diavel	e3*2002/24*0575	<b>B-F99</b>	<b>C-H11</b>	<b>DP8127</b>
Diavel	2014 - 2016	G1	Diavel	e3*2002/24*0575	<b>B-F99</b>	<b>C-H11</b>	<b>DP8127</b>
Diavel	2017 - 2020	GA	X-Diavel /S	e49*168/2013*00009	<b>B-F99</b>	<b>C-H11</b>	<b>DP8127</b>
HyperMotard 796	2010 - 2012	B1	HyperMotard 796	e3*2002/24*0458	<b>B-DB12***</b>	<b>C-D22***</b>	<b>DN6127***</b>
HyperStrada 821	all years	B2	Hyperstrada	e9*2002/24*0601	<b>B-DB12***</b>	<b>C-D82***</b>	<b>DR8127***</b>
Hypermotard 950	2021 →	1B	Hypermotard 950 , SP , RVE	e49*168/2013*00070	<b>B-F99</b>	<b>C-H11</b>	<b>DP8127</b>
Hypermotard 950	2021 →	2B	Hypermotard 950 , SP , RVE	e49*168/2013*00072	<b>B-F99</b>	<b>C-H11</b>	<b>DP8127</b>
Hypermotard 950	2021 →	3B	Hypermotard 950 , SP , RVE	e49*168/2013*00073	<b>B-F99</b>	<b>C-H11</b>	<b>DP8127</b>
Monster 937	2021 →	1M	Monster 937	e49*168/2013*00049	<b>B-F99</b>	<b>C-H11</b>	<b>DP8127</b>
Monster 937	2021 →	3M	Monster 937	e49*168/2013*00051	<b>B-F99</b>	<b>C-H11</b>	<b>DP8127</b>
Monster 797	2016 - 2020	MD	Monster 797	e49*168/2013*00021	<b>B-DB12</b>	<b>C-D82</b>	<b>DR8127</b>
Monster 821	2014 - 2017	M6	Monster 821	e9*2002/24*6025	<b>B-DB12</b>	<b>C-D82</b>	<b>DR8127</b>
Monster 1200	2014 - 2020	M6	Monster 1200 /S	e9*2002/24*6025	<b>B-F99</b>	<b>C-H11</b>	<b>DP8127</b>
Monster 620	2002 - 2005	M4	M 620 Monster /S	e3*2002/24*0030	<b>B-DB12</b>	<b>C-D22</b>	<b>DN6127</b>

S22 91927\*00

Monster 620	-2006	M4	M 620 Monster /Dark	e3*2002/24*0281	<b>B-DB12</b>	<b>C-D22</b>	<b>DN6127</b>
Monster 695	2007 - 2008	M4	M 695 Monster	e3*2002/24*0281	<b>B-DB12</b>	<b>C-D22</b>	<b>DN6127</b>
Monster 696	2008 -2014	M5	M 696 Monster	e3*2002/24*0497	<b>B-DB12</b>	<b>C-D22</b>	<b>DN6127</b>
Monster 796	2010 - 2014	M5	M 796 Monster	e3*2002/24*0497	<b>B-DB12</b>	<b>C-D22</b>	<b>DN6127</b>
Monster 797	-2016	MD	M 797 Monster	e49*168/2013*00021	<b>B-DB12</b>	<b>C-D82</b>	<b>DR8127</b>
Monster 800	2003 - 2004	M4	M 800 Monster /S	e3*2002/24*0030	<b>B-DB12</b>	<b>C-D22</b>	<b>DN6127</b>
Monster 800 S2R	2005 - 2007	M4	M 800 Monster S 2 R	e3*2002/24*0281	<b>B-DB12</b>	<b>C-D22</b>	<b>DN6127</b>
MultiStrada 1200	2010 - 2012	A2	Multistrada 1200, 1200S	e3*2002/24*0563	<b>B-F99</b>	<b>C-H11</b>	<b>DP8127</b>
MultiStrada 1200	2013 - 2015	A3	Multistrada 1200 /S /S Touring / S Pikes Peak /S Granturismo	e24*2002/24*0139	<b>B-F99</b>	<b>C-H11</b>	<b>DP8127</b>
Scrambler* *except Cafe Racer/Desert Sled	2014-2017	K1	Scrambler	e9*2002/24*6054	<b>B-DB12</b>	<b>C-D82</b>	<b>DR8127</b>
Scrambler 400	-2014	KA	Scrambler 400	e49*168/2013*00001	<b>B-DB12</b>	<b>C-D82</b>	<b>DR8127</b>
StreetFighter 848	-2012	F1	848 Streetfighter /S	e3*2002/24*0539	<b>B-F99</b>	<b>C-H11</b>	<b>DP8127</b>
StreetFighter 1100	-2009	F1	StreetFighter /S	e3*2002/24*0539	<b>B-F99</b>	<b>C-H11</b>	<b>DP8127</b>
StreetFighter V4	2020 →	FA	StreetFighter V4/S	e9*168/2013*11506	<b>B-F99</b>	<b>C-H11</b>	<b>DP8127</b>
StreetFighter V4	2020 →	FA	StreetFighter V4/S	e9*168/2013*11522	<b>B-F99</b>	<b>C-H11</b>	<b>DP8127</b>
SuperSport	-2017	VC	Supersport 936, S 936	e49*168/2013*00033	-	-	-

**\*\*\*WITHOUT STOCK HANDGUARDS  
Ohne Handprotektoren**

**Fahrzeughersteller  
Vehicle manufacturer : HONDA**

Model	Baujahre Year	Fahrzeugtyp Vehicle type	Handelsbezeichnung Commercial model description	EG-TG-Nr, ABE-Nr. Vehicle Homologation	Bremshebel Brake Lever Number	Kupplungshebel Clutch Lever Number	KIT code (Brake/ Clutch)
Africa Twin ***	2016 - 2017	SD04	CRF 1000	e4*2002/24*3185	<b>B-F18</b>	----	<b>HA1127</b>
Africa Twin ***	2016 - 2017	SD04	CRF 1000 A	e4*2002/24*3185	<b>B-F18</b>	----	<b>HA1127</b>

Africa Twin ***	2016 - 2017	SD04	CRF 1000 D Africa Twin	e4*2002/24*3185	<b>B-F18</b>	----	<b>HA1127</b>
Africa Twin ***	2018 - 2019	SD06	CRF 1000 A	e4*168/2013*00033	<b>B-F18</b>	----	<b>HA1127</b>
Africa Twin ***	2018 - 2019	SD06	CRF 1000 D Africa Twin	e4*168/2013*00033	<b>B-F18</b>	----	<b>HA1127</b>
CB 1000R	2008 - 2016	SC60	CB 1000R Hornet 1000	e4*2002/24*1912	<b>B-F33</b>	<b>C-H33</b>	<b>HN1127</b>
CB 1000R	2018 - 2020	SC80	CB 1000 RA	e4*168/2013*00080	<b>B-F33</b>	<b>C-V4AH</b>	<b>HP1127/17</b>
CB 500F	2013 - 2015	PC45	CB 500 F	e13*2002/24*0601	<b>B-F25</b>	<b>C-H250</b>	<b>HC5127</b>
CB 500F	2013 - 2015	PC45	CB 500 FA	e13*2002/24*0601	<b>B-F25</b>	<b>C-H250</b>	<b>HC5127</b>
CB 500F	2016 - 2017	PC58	CB 500 FA	e13*168/2013*00056	<b>B-F25</b>	<b>C-H250</b>	<b>HC5127</b>
CB 500F	2018 - 2019	PC63	CB 500 F ABS	e13*168/2013*00508	<b>B-F25</b>	<b>C-H250</b>	<b>HC5127</b>
CB 500X	2014 - 2015	PC46	CB 500 X	e13*2002/24*0601	<b>B-F25</b>	<b>C-H250</b>	<b>HC5127</b>
CB 500X	2016 - 2019	PC46	CB 500 X	e13*2002/24*0622	<b>B-F25</b>	<b>C-H250</b>	<b>HC5127</b>
CB 650F	2015 - 2016	RC75	CB 650 F	e13*2002/24*0678	<b>B-F18</b>	<b>C-H65</b>	<b>HCF6127/17</b>
CB 650F	2017 - 2018	RC97	CB 650 FA	e13*168/2013*00098	<b>B-F18</b>	<b>C-H65</b>	<b>HCF6127/17</b>
CB 650 RA	2019	RH02	CB 650 R	e13*168/2013*00501	<b>B-F18</b>	<b>C-H65</b>	<b>HCF6127/17</b>
CB 650 RA	2019	RH02	CB 650 R	e13*168/2013*00502	<b>B-F18</b>	<b>C-H65</b>	<b>HCF6127/17</b>
CB 650 RA	2020 →	RH08	CB 650 R	e4*00124	<b>B-F18</b>	<b>C-H65</b>	<b>HCF6127/17</b>
CB 650 RA	2020 →	RH08	CB 650 R	e4*00125	<b>B-F18</b>	<b>C-H65</b>	<b>HCF6127/17</b>
CBR 650 RA	2019	RH01	CBR 650 R	e13*0518	<b>B-F18</b>	<b>C-H65</b>	<b>HCF6127/17</b>
CBR 650 RA	2020 →	RH07	CBR 650 R	e4*00122	<b>B-F18</b>	<b>C-H65</b>	<b>HCF6127/17</b>
CBR 650 RA	2020 →	RH07	CBR 650 R	e4*00123	<b>B-F18</b>	<b>C-H65</b>	<b>HCF6127/17</b>
CBR 1000RR Fireblade	2004 - 2005	SC57	CBR 1000 RR	e4*2002/24*0269	<b>B-F33</b>	<b>C-H33</b>	<b>HN1127</b>
CBR 1000RR Fireblade	2006 - 2007	SC57	CBR 1000 RR	e4*2002/24*0269	<b>B-F33</b>	<b>C-H33</b>	<b>HN1127</b>
CBR 1000RR Fireblade	2008 - 2010	SC59	CBR 1000 RR	e4*2002/24*1726	<b>B-F33</b>	<b>C-V4AH</b>	<b>HP1127/17</b>
CBR 1000RR Fireblade	2011 - 2016	SC59	CBR 1000 RR	e4*2002/24*1726	<b>B-F33</b>	<b>C-V4AH</b>	<b>HP1127/17</b>
CBR 1000RR Fireblade	2017 - 2019	SC77	CBR 1000 RR / SP	e4*168/2013*00054	<b>B-F33</b>	<b>C-V4AH</b>	<b>HP1127/17</b>
CBR 1000RR Fireblade	2020 →	SC82	CBR 1000 ST /SP	e4*168/2013*00126	<b>B-F33</b>	<b>C-V4AH</b>	<b>HP1127/17</b>
CBR 500R	2014 - 2015	PC44	CBR 500 R	e13*2002/24*0602	<b>B-F25</b>	<b>C-H250</b>	<b>HC5127</b>
CBR 500R	2014 - 2015	PC44	CBR 500 RA	e13*2002/24*0602	<b>B-F25</b>	<b>C-H250</b>	<b>HC5127</b>
CBR 500R	2016 - 2017	PC57	CBR 500 RA	e13*168/2013*00054	<b>B-F25</b>	<b>C-H250</b>	<b>HC5127</b>
CBR 600F	2011 - 2013	PC41	CBR 600F / CBR 600FA	e3*2002/24*0454	<b>B-F18</b>	<b>C-H607</b>	<b>HN6127/07</b>

S22\_91927\*00

CBR 600RR	2007 - 2012	PC40	CBR 600 RR / ABS	e4*2002/24*1247	<b>B-F33</b>	<b>C-V4AH</b>	<b>HP1127/17</b>
CBR 600RR	2013 - 2019	PC40	CBR 600 RR / ABS	e4*2002/24*1247	<b>B-F33</b>	<b>C-V4AH</b>	<b>HP1127/17</b>
CBR 650F	2015 - 2016	RC75	CBR 650 F	e13*2002/24*0678	<b>B-F18</b>	<b>C-H65</b>	<b>HCF6127/17</b>
CBR 650F	2017 - 2018	RC97	CBR 650 FA	e13*168/2013*00098	<b>B-F18</b>	<b>C-H65</b>	<b>HCF6127/17</b>
Hornet 600	1998 - 1999	PC34	CB 600 F /S Hornet /S	K 016	<b>B-F18</b>	<b>C-H626</b>	<b>HN6127</b>
Hornet 600	2000 - 2002	PC34	CB 600 F /S Hornet /S	e13*92/61*0020	<b>B-F18</b>	<b>C-H626</b>	<b>HN6127</b>
Hornet 600	2003 - 2006	PC36	Hornet 600	e3*92/61*0101	<b>B-F18</b>	<b>C-H626</b>	<b>HN6127</b>
Hornet 600	2007 - 2010	PC41	Hornet 600 /ABS	e3*2002/24*0454	<b>B-F18</b>	<b>C-H607</b>	<b>HN6127/07</b>
Hornet 600	2011 - 2013	PC41	CB 600F / CB 600 FA / Hornet	e3*2002/24*0454	<b>B-F18</b>	<b>C-H607</b>	<b>HN6127/07</b>
Hornet 900	2002 - 2005	SC48	CB 900 F Hornet	e13*92/61*0051	<b>B-F18</b>	<b>C-H626</b>	<b>HN6127</b>
Integra 700	2012 - 2013	RC62	Integra NC 700 D	e4*2002/24*2788	<b>B-H17</b>	<b>C-H27</b>	<b>HI7127</b>
Integra 750	2014 - 2015	RC71	Integra NC 750 D	e4*2002/24*3034	<b>B-H17</b>	<b>C-H27</b>	<b>HI7127</b>
Integra 750	2016 - 2019	RC89	Integra NC 750 D	e4*168/2013*00010	<b>B-H17</b>	<b>C-H27</b>	<b>HI7127</b>
Integra 750	2016 - 2019	RC89	Integra NC 750 D	e4*168/2013*00081	<b>B-H17</b>	<b>C-H27</b>	<b>HI7127</b>
NC 700S	2012 - 2013	RC61	NC 700 S / A / D	e4*2002/24*2824	<b>B-F18</b>	<b>C-H626</b>	<b>HN6127</b>
NC 750S	2013 - 2014	RC70	NC 750 S / A / D	e4*2002/24*3021	<b>B-F18</b>	<b>C-H626</b>	<b>HN6127</b>
NC 750S	2015 - 2019	RC88	NC 750 S / A / D	e4*168/2013*00011	<b>B-F18</b>	<b>C-H65</b>	<b>HCF6127/17</b>
NC 750S	2015 - 2019	RC88	NC 750 SA / SD	e4*168/2013*00079	<b>B-F18</b>	<b>C-H65</b>	<b>HCF6127/17</b>
NC 700X	2012 - 2013	RC63	NC 700 X / A / D	e4*2002/24*2789	<b>B-F18</b>	<b>C-H626</b>	<b>HN6127</b>
NC 750X	2012 - 2014	RC72	NC 750 X / A / D	e4*2002/24*3022	<b>B-F18</b>	<b>C-H626</b>	<b>HN6127</b>
NC 750X	2015 - 2019	RC90	NC 750 XA / XD	e4*168/2013*00007	<b>B-F18</b>	<b>C-H65</b>	<b>HCF6127/17</b>
NC 750X	2015 - 2019	RC90	NC 750 XA / XD	e4*168/2013*00078	<b>B-F18</b>	<b>C-H65</b>	<b>HCF6127/17</b>
NC 750X	2021 →	RH09	NC 750 XA / XD	e6*00066 (VO)	<b>B-F18</b>	<b>C-H65</b>	<b>HCF6127/17</b>
X-ADV	2017 - 2019	RC95	ADV 750 X-ADV	e4*168/2013*00060	<b>B-H17</b>	<b>C-H27</b>	<b>HI7127</b>
X-ADV	2017 - 2020	RC95	ADV 750 X-ADV	e4*168/2013*00074	<b>B-H17</b>	<b>C-H27</b>	<b>HI7127</b>
X-ADV 750	2021 →	RH10	ADV 750 X-ADV	e6*168/2013*00057*00	<b>B-H17</b>	<b>C-H27</b>	<b>HI7127</b>
X-ADV 750	2021 →	RH10	ADV 750 X-ADV	e6*168/2013*00058*00	<b>B-H17</b>	<b>C-H27</b>	<b>HI7127</b>
NSS750	2021 →	RH11	FORZA 750	e6*168/2013*00064*00	<b>B-H17</b>	<b>C-H27</b>	<b>HI7127</b>

S22\_91927\*00

Fahrzeughersteller Vehicle manufacturer : KAWASAKI							
Model	Baujahre Year	Fahrzeugtyp Vehicle type	Handelsbezeichnung Commercial model description	EG-TG-Nr, ABE-Nr. Vehicle Homologation	Bremshebel Brake Lever Number	Kupplungshebel Clutch Lever Number	KIT code (Brake/ Clutch)
ER6-N	2005 - 2008	ER650A	ER-6 n, ABS	e1*2002/24*0260	B-F14	C-K750	KN7127
ER6-N	2009 - 2011	ER650C	ER-6 n ABS	e1*2002/24*0409	B-F44	C-K750	KE6127
ER6-N	2012 - 2016	ER650E	ER-6 n ABS	e1*2002/24*0533	B-F44	C-K750	KE6127
ER6-F	2005 - 2008	EX650A	ER-6 f, ABS	e1*2002/24*0269	B-F14	C-K750	KN7127
ER6-F	2009 - 2011	EX650C	ER-6 f ABS	e1*2002/24*0417	B-F44	C-K750	KE6127
ER6-F	2012 - 2016	EX650E	ER-6 f ABS	e1*2002/24*0538	B-F44	C-K750	KE6127
Ninja 650	2017 - 2019	EX650K	Ninja 650	e1*168/2013*00039	B-F21	C-K750	KN9127
Ninja 650	2017 - 2019	EX650KA2	Ninja 650 (A2)	e1*168/2013*00040	B-F21	C-K750	KN9127
Ninja 650	2020 →	EX650M	Ninja 650	e1*168/2013*00182	B-F21	C-K750	KN9127
Ninja 650	2020 →	EX650MA2	Ninja 650	e1*168/2013*00183	B-F21	C-K750	KN9127
Versys 650	2007 - 2009	LE650A	Versys, ABS	e1*2002/24*0305	B-F14	C-K750	KN7127
Versys 650	2010 - 2013	LE650C	Versys ABS	e1*2002/24*0462	B-F44	C-K750	KE6127
Versys 650	2014 - 2019	LE650E	Versys 650 ABS	e1*168/2013*00028	B-F21	C-K750	KN9127
Versys 1000	2012 - 2015	LZT00A	Versys 1000	e1*2002/24*0540	B-F14	C-K828	KN1127
Versys 1000	2014 - 2016	LZT00B	Versys 1000 ABS	e4*2002/24*3111	B-F21	C-K750	KN9127
Versys 1000	2016 - 2019	ZT00BB	Versys 1000	e4*168/2013*00029	B-F21	C-K750	KN9127
Z650	2017 - 2019	ER650H	Z 650	e1*168/2013*00037	B-F21	C-K750	KN9127
Z650	2017 - 2019	ER650HA2	Z 650 A2	e1*168/2013*00038	B-F21	C-K750	KN9127
Z650	2020 →	ER650K	Z 650	e1*168/2013*00180	B-F21	C-K750	KN9127
Z650	2020 →	ER650KA2	Z 650 A2	e1*168/2013*00110	B-F21	C-K750	KN9127
Z750	2003 - 2006	ZR750J	Z 750 / S	e1*92/61*0197	B-F14	C-K750	KN7127
Z750	2007 - 2014	ZR750L	Z 750 ABS	e1*2002/24*0309	B-F21	C-K828	KN7127/07
Z750R	2011 - 2015	ZR750N	Z 750 R	e1*2002/24*0487	B-F88	C-K828	KN1127/10
Z800	2013 - 2016	ZR800A	Z 800 / ABS	e4*2002/24*2908	B-F21	C-K828	KN7127/07
Z800	2013 - 2016	ZR800C	Z 800e / ABS	e4*2002/24*3207	B-F21	C-K828	KN7127/07
Z800	2013 - 2016	ZR800E	Z 800	e4*2002/24*3208	B-F21	C-K828	KN7127/07



Z800	2013 - 2016	ZR800F	Z800e /ABS	e4*2002/24*2909	<b>B-F21</b>	<b>C-K828</b>	<b>KN7127/07</b>
Z900	2017	ZR900B	Z900 ABS	e1*168/2013*00043	<b>B-F21</b>	<b>C-K750</b>	<b>KN9127</b>
Z900	2018	ZR900D	Z900 ABS	e1*168/2013*00060	<b>B-F21</b>	<b>C-K750</b>	<b>KN9127</b>
Z900	2018	ZR900DA2	Z900 A2 ABS	e1*168/2013*00061	<b>B-F21</b>	<b>C-K750</b>	<b>KN9127</b>
Z900	2019 →	ZR900F	Z900	e1*168*/2013*00176	<b>B-F21</b>	<b>C-K750</b>	<b>KN9127</b>
Z900	2019 →	ZR900H	Z900	e1*168*/2013*00177	<b>B-F21</b>	<b>C-K750</b>	<b>KN9127</b>
Z900	2019 →	ZR900D	Z900	e1*168*/2013*00178	<b>B-F21</b>	<b>C-K750</b>	<b>KN9127</b>
Z900RS	2018 →	ZR900C	Z 900 RS / Cafe	e1*168/2013*00057	<b>B-F88</b>	<b>C-K750</b>	<b>KN1127/17</b>
Z1000	2003 - 2006	ZRT00A	Z 1000	e1*92/61*0172	<b>B-F14</b>	<b>C-K828</b>	<b>KN1127</b>
Z1000	2007 - 2009	ZRT00B	Z 1000 / ABS	e4*2002/24*1275	<b>B-F88</b>	<b>C-K828</b>	<b>KN1127/10</b>
Z1000	2010 - 2013	ZRT00D	Z 1000 / ABS	e4*2002/24*2374	<b>B-F88</b>	<b>C-K828</b>	<b>KN1127/10</b>
Z1000	2014 - 2016	ZRT00F	Z 1000 / ABS	e4*2002/24*3009	<b>B-F88</b>	<b>C-K828</b>	<b>KN1127/10</b>
Z1000	2017 - 2019	ZRT00H	Z 1000 / R	e4*168/2013*00028	<b>B-F88</b>	<b>C-K750</b>	<b>KN1127/17</b>
Z1000SX	2011 - 2013	ZXT00G	Z 1000 SX / ABS	e1*2002/24*0486	<b>B-F88</b>	<b>C-K828</b>	<b>KN1127/10</b>
Z1000SX	2014 - 2015	ZXT00L	Z 1000 SX / ABS	e1*2002/24*0611	<b>B-F88</b>	<b>C-K828</b>	<b>KN1127/10</b>
Z1000SX	2017 - 2019	ZXT00W	Z 1000 SX / Ninja 1000	e4*168/2013*00034	<b>B-F88</b>	<b>C-K750</b>	<b>KN1127/17</b>
ZX6-R	2003 - 2004	ZX636B	ZX-6 R Ninja	e4*92/61*0180	<b>B-F14</b>	<b>C-K828</b>	<b>KN1127</b>
ZX6-R	2003 - 2004	ZX600K	ZX-6 RR Ninja	e1*92/61*0174	<b>B-F14</b>	<b>C-K828</b>	<b>KN1127</b>
ZX6-R	2007 - 2008	ZX600P	ZX-6 R Ninja	e4*2002/24*1274	<b>B-F88</b>	<b>C-K828</b>	<b>KN1127/10</b>
ZX6-R	2009 - 2012	ZX600R	ZX-6 R Ninja	e4*2002/24*2077	<b>B-F88</b>	<b>C-K828</b>	<b>KN1127/10</b>
ZX6-R	2013 - 2016	ZX636E	ZX-6 R Ninja / ABS	e1*2002/24*0571	<b>B-F88</b>	<b>C-K828</b>	<b>KN1127/10</b>
ZX10-R	2004 - 2005	ZXT00C	ZX-10 R Ninja	e4*92/61*0246	<b>B-F14</b>	<b>C-K828</b>	<b>KN1127</b>
ZX10-R	2006 - 2007	ZXT00D	ZX-10 R Ninja	e1*2002/24*0270	<b>B-F88</b>	<b>C-K828</b>	<b>KN1127/10</b>
ZX10-R	2008 - 2010	ZXT00E	ZX-10 R Ninja	e1*2002/24*0350	<b>B-F88</b>	<b>C-K828</b>	<b>KN1127/10</b>
ZX10-R	2008 - 2010	ZXT00F	ZX-10 R Ninja	e1*2002/24*0443	<b>B-F88</b>	<b>C-K828</b>	<b>KN1127/10</b>
ZX10-R	2011 - 2014	ZXT00J	ZX-10 R Ninja	e4*2002/24*2548	<b>B-F88</b>	<b>C-K828</b>	<b>KN1127/10</b>

S22\_91927\*00

**Fahrzeughersteller**  
**Vehicle manufacturer : MOTOGUZZI**

Model	Baujahre Year	Fahrzeugtyp Vehicle type	Handelsbezeichnung Commercial model description	EG-TG-Nr, ABE-Nr. Vehicle Homologation	Bremshebel Brake Lever Number	Kupplungshebel Clutch Lever Number	KIT code (Brake/ Clutch)
V7 II	all years	LW	V7 STONE & SPECIAL	e11*2002/24*0671	<b>B-F16</b>	<b>C-D37</b>	<b>MG7127</b>
V7 III	all years	LD	V7 STONE	e11*168/2013*00251	<b>B-F16</b>	<b>C-D37</b>	<b>MG7127</b>
V9	all years	LH	V9 BOBBER	e11*168/2013*00210	<b>B-F16</b>	<b>C-D37</b>	<b>MG7127</b>

**Fahrzeughersteller**  
**Vehicle manufacturer : MV AGUSTA**

Model	Baujahre Year	Fahrzeugtyp Vehicle type	Handelsbezeichnung Commercial model description	EG-TG-Nr, ABE-Nr. Vehicle Homologation	Bremshebel Brake Lever Number	Kupplungshebel Clutch Lever Number	KIT code (Brake/ Clutch)
Brutale 675	2014 - 2015	B3	Brutale 675	e3*2002/24*0590	<b>B-F15</b>	<b>C-M48</b>	<b>MB7127/14</b>
Rivale 800	2014 - 2017	S3	Rivale 800	e3*2002/24*0590	<b>B-F15</b>	<b>C-M48</b>	<b>MB7127/14</b>

**Fahrzeughersteller**  
**Vehicle manufacturer : SUZUKI**

Model	Baujahre Year	Fahrzeugtyp Vehicle type	Handelsbezeichnung Commercial model description	EG-TG-Nr, ABE-Nr. Vehicle Homologation	Bremshebel Brake Lever Number	Kupplungshebel Clutch Lever Number	KIT code (Brake/ Clutch)
Bandit 600	2007 - 2008	WVCJ	GSF 600 /S Bandit / ABS	e4*2002/24*1342	<b>B-F14</b>	<b>C-S14</b>	<b>SB6127</b>
Bandit 600	-2009	WVCZ	GSF 600 /S Bandit / ABS	e4*2002/24*2163	<b>B-F14</b>	<b>C-S14</b>	<b>SB6127</b>
Gladius	-2009	WVCX	SFV 650 Gladius, ABS	e4*2002/24*2102	<b>B-F14</b>	<b>C-S248</b>	<b>SG6127</b>
GSR 600	2006 - 2010	WVB9	GSR 600, ABS	e4*2002/24*0721	<b>B-F14</b>	<b>C-S248</b>	<b>SG6127</b>
GSR 750	-2011	C5	GSR 750	e4*2002/24*2594	<b>B-F14</b>	<b>C-S248</b>	<b>SG6127</b>
GSX-R 600	2006 - 2007	WVCE	GSX-R 600	e4*2002/24*0849	<b>B-F35</b>	<b>C-V4</b>	<b>SP6127/11</b>

GSX-R 600	2008 - 2010	WVCV	GSX-R 600	e4*2002/24*1756	B-F35	C-V4	SP6127/11
GSX-R 600	2011 - 2016	C3	GSX-R 600	e4*2002/24*2578	B-F35	C-V4	SP6127/11
GSX-R 750	2006 - 2007	WVCF	GSX-R 750	e4*2002/24*0890	B-F35	C-V4	SP6127/11
GSX-R 750	2008 - 2010	WVCW	GSX-R 750	e4*2002/24*1852	B-F35	C-V4	SP6127/11
GSX-R 750	2011 - 2016	C4	GSX-R 750	e4*2002/24*2587	B-F35	C-V4	SP6127/11
GSX-R 1000	2001 - 2004	WVBZ	GSX-R 1000	e4*92/61*0193	B-F14	C-S248	SG6127
GSX-R 1000	2005 - 2006	WVB6	GSX-R 1000	e4*2002/24*0375	B-F35	C-V4	SP6127/11
GSX-R 1000	2009 - 2015	WVCY	GSX-R 1000	e4*2002/24*2132	B-F35	C-V4	SP6127/11
GSX-R 1000	2016 - 2019	WDM0	GSX-R 1000	e4*168/2013*00052	B-F35	C-V4	SP6127/11
GSX-S 750	all years	WC50	GSX-S 750	e4*168/2013*00037	B-F14	C-S248	SG6127
GSX-S 1000	2015 - 2019	DG	GSX-S 1000 / A	e4*2002/24*3135	B-F35	C-V4	SP6127/11
GSX-S 1000	2015 - 2019	WDG0	GSX-S 1000 / A	e4*168/2013*00051	B-F35	C-V4	SP6127/11
GSX-S F 1000	2015 - 2019	DG	GSX-S F 1000	e4*2002/24*3135	B-F35	C-V4	SP6127/11
GSX-S F 1000	2015 - 2019	WDG0	GSX-S F 1000	e4*168/2013*00051	B-F35	C-V4	SP6127/11
SV 650	1999 - 2002	AV	SV 650 / S	K 329	B-F14	C-S650	SN6127
SV 650	2003 - 2008	WVBY	SV 650 / S / ABS	e4*2002/24*0192	B-F14	C-S650	SN6127
SV 650	2016 - 2019	CX	SV 650	e4*168/2013*00008	B-F14	C-S248	SG6127
SV 650	2016 - 2019	WCX1	SV 650 ABS	e4*168/2013*00009	B-F14	C-S248	SG6127
V-STROM 650	2004 - 2005	WVB1	DL 650 V-Strom	e4*92/61*0233	B-F14	C-S650	SN6127
V-STROM 650	2006 - 2009	WVB1	DL 650 V-Strom / ABS	e4*2002/24*0724	B-F14	C-S650	SN6127
V-STROM 650	2012 - 2014	C7	DL 650A V-Strom / ABS	e4*2002/24*2680	B-F14	C-S248	SG6127
V-STROM 650	2015 - 2018	WC70	DL 650 V-STROM	e4*168/2013*00035	B-F14	C-S248	SG6127

**Fahrzeughersteller**  
**Vehicle manufacturer : TRIUMPH**

Model	Baujahre Year	Fahrzeugtyp Vehicle type	Handelsbezeichnung Commercial model description	EG-TG-Nr, ABE-Nr. Vehicle Homologation	Bremshebel Brake Lever Number	Kupplungshebel Clutch Lever Number	KIT code (Brake/ Clutch)
Bonneville T100	2005 - 2007	986MF	Bonneville / T100	e11*2002/24*0123	B-F14	C-T333	TS6127
Bonneville T100	2008 - 2015	986MF	Bonneville / T100	e11*2002/24*0609	B-F14	C-T333	TS6127
Bonneville T100	2016 - 2019	DB01	Bonneville T100	e11*168/2013*00214	B-F14	C-T333P	TT9127/17

Bonneville T120	2016 - 2019	DU01	Bonneville T120	e11*168/2013*00207	B-F14	C-T333P	TT9127/17
Bonneville Bobber	2016 - 2019	DV01	Bonneville Bobber	e11*168/2013*00239	B-F14	C-T333P	TT9127/17
Speed Triple	2005 - 2007	515NJ	Speed Triple	e11*2002/24*0135	B-F14	C-T333	TS6127
Speed Triple	2008 - 2010	515NJ	Speed Triple	e11*2002/24*0439	B-F35	C-T333	TS9127
Street Triple	2008 - 2016	D67LD	Street Triple 675	e11*2002/24*0611	B-F14	C-T333	TS6127
Street Triple R	2011 - 2012	D67LD	Street Triple / R	e11*2002/24*0611	B-F35	C-T333	TS9127
Street Triple R	2013 - 2016	L67LR	Street Triple / R / ABS	e11*2002/24*1512	B-F35	C-T333	TS9127
Street Triple	2017 - 2019	HD01	Street Triple S	e11*168/2013*00248	B-F14	C-T333P	TT9127/17
Street Triple R	2017 - 2019	HD01	Street Triple R	e11*168/2013*00248	B-F14	C-T333P	TS9127/17
Daytona 600 / 650	2004 - 2005	865LX	Daytona 600 / 650	e11*0122*	B-F14	C-T333	TS6127
Daytona 955i	2004 - 2006	595N	Daytona 955i	e11*00040*	B-F14	C-T333	TS6127
Tiger 800 ABS	2015 - 2018	A082	Tiger 800 XC/XCX/XR/XRT/XRX	e11*2002/24*1831	B-F14	C-T333P	TT9127/17
Tiger 1050	2006 - 2013	115NG	Tiger 1050	e11*0440*	B-F14	C-T333	TS6127
Tiger Sport 1050	2014 - 2016	NH01	Tiger Sport 1050	e11*00213	B-F14	C-T333	TS6127
Tiger Sport 1050	2017 - 2018	NH01	Tiger Sport 1050	e11*00213	B-F14	C-T333P	TT9127/17
Scrambler	2006 - 2016	986MG	Scrambler	e11*0254*	B-F14	C-T333	TS6127
Street Scrambler	2017 - 2018	DC01	Scrambler 900	e11*00245	B-F14	C-T333P	TT9127/17
Street Scrambler	2017 - 2018	DC02	Scrambler 900	e11*00245	B-F14	C-T333P	TT9127/17
Thruxton	2004 - 2006	986ME	Thruxton 865	e11*0109*	B-F14	C-T333	TS6127
Thruxton	2007 - 2015	986ME2	Thruxton 865	e11*0123*	B-F14	C-T333	TS6127
Thruxton 1200	2015 - 2018	DE01	Thruxton 1200 / Street Cup	e11*168/2013*00212	B-F14	C-T333P	TT9127/17
Trident	2021 →	L101	Trident	e9*168*/2013*11675 ( VO )	B-F14	C-T333P	TT9127/17
Trident	2021 →	L101R	Trident	e9*168*/2013*11674 ( VO )	B-F14	C-T333P	TT9127/17
Street Twin	2015 →	DP01	Street Twin	e11*168/2013*00204	B-F14	C-T333P	TT9127/17

**Fahrzeughersteller**  
**Vehicle manufacturer : YAMAHA**

S22\_91927\*00

Model	Baujahr Year	Fahrzeugtyp Vehicle type	Handelsbezeichnung Commercial model description	EG-TG-Nr, ABE-Nr. Vehicle Homologation	Bremshebel Brake Lever Number	Kupplungshebel Clutch Lever Number	KIT code (Brake/ Clutch)
FZ1-N	-2006	RN16	FZ 1-N	e13*2002/24*0040	B-F16	C-Y688	YF6127
FZ1-S Fazer	-2006	RN16	FZ 1-S Fazer	e13*2002/24*0040	B-F16	C-Y688	YF6127
FZ8-N	-2010	RN25	FZ 8-N	e13*2002/24*0393	B-F16	C-Y688	YF6127
FZ8-S Fazer	-2010	RN25	FZ 8-S Fazer	e13*2002/24*0393	B-F16	C-Y688	YF6127
FZ6-N	-2007	RJ14	FZ6-N	e13*2002/24*0111	B-F16	C-Y688	YF6127
FZ6-S	-2007	RJ14	FZ6-S Fazer	e13*2002/24*0111	B-F16	C-Y688	YF6127
MT-07	2014 - 2015	RM04	MT-07	e13*2002/24*0660	B-F16	C-V44	YMT1127
MT-07	2016 - 2019	RM17	MT-07 (MTN690-A) (55 kW)	e13*168/2013*00040	B-F16	C-V44	YMT1127
MT-07	2016 - 2020	RM18	MT-07 (MTN690-U) (35 kW)	e13*168/2013*00041	B-F16	C-V44	YMT1127
MTN 690		RM34	MT-07 ( A2 )	e13*168/2013*00905	B-F16	C-V44	YMT1127
MTN 690	2021 →	RM33	MT-07 ( A3 )	e13*168/2013*00904	B-F16	C-V44	YMT1127
MT-09	2014 - 2016	RN29	MT-09	e13*2002/24*0643	B-F16	C-V44	YMT1127
MT-09	2017 - 2020	RN43	MT-09 (MTM850-A)	e13*168/2013*00002	B-F16	C-V44	YMT1127
MTN 890	2021 →	RN65	MT-09 ( L3e-A3 )	e13*168/2013*00867	B-R15	C-Y688	YP1127-15
MT-09 SP	2017 - 2019	RN43	MT-09 SP (MTM850D)	e13*168/2013*00002	B-F16	C-V44	YMT1127
MT-10	2016 - 2019	RN45	MT-10 (MTN1000)	e13*168/2013*00008	B-F16	C-V44	YMT1127
MT-10 SP	2016 - 2019	RN45	MT-10 SP (MTN1000D)	e13*168/2013*00008	B-F16	C-V44	YMT1127
T-MAX	2008 - 2011	SJ06	XP500 (T-MAX)	e13*2002/24*0226	B-L43	C-R43	YT5127
T-MAX	2008 - 2011	SJ09	XP500 (T-MAX)	e13*2002/24*0513	B-L43	C-R43	YT5127
T-MAX	2012 - 2016	SJ09	T-MAX 530	e13*2002/24*0513	B-L43	C-R43	YT5127
T-MAX	2017 - 2019	SJ14	T-Max 530 (XP530E-A)	e13*168/2013*00047	B-L43	C-R43	YT5127
T-MAX	2017 - 2019	SJ14	T-Max SX (XP530-A)	e13*168/2013*00047	B-L43	C-R43	YT5127
T-MAX	2017 - 2019	SJ14	T-Max DX (XP530D-A)	e13*168/2013*00047	B-L43	C-R43	YT5127
XP 560	2020 →	SJ18	T-Max / D / E	e13*168/2013*00660	B-L43	C-R43	YT5127
Tracer 700	2016 - 2019	RM14	Tracer 700 (MTT690-A) (55 kW)	e13*168/2013*00024	B-F16	C-V44	YMT1127
Tracer 700	2016 - 2019	RM15	MT-07 Tracer (35 kW)	e13*168/2013*00025	B-F16	C-V44	YMT1127
MTT690-U	2020 →	RM31	Tracer 700 ( A2 )	e13*168/2013*00783	B-F16	C-V44	YMT1127

MTT690-A	2020 →	RM30	Tracer 700 ( A3 )	e13*168/2013*00782	<b>B-F16</b>	<b>C-V44</b>	<b>YMT1127</b>
Tracer 900	2015 - 2016	RN29	MT-09 Tracer	e13*2002/24*0643	<b>B-F16</b>	<b>C-V44</b>	<b>YMT1127</b>
Tracer 900	2017	RN43	Tracer 900 (MT09TRA MT09TRP)	e13*168/2013*00002	<b>B-F16</b>	<b>C-V44</b>	<b>YMT1127</b>
Tracer 900	2018 - 2019	RN57	Tracer 900 (MTT850)	e13*168/2013*00286	<b>B-F16</b>	<b>C-V44</b>	<b>YMT1127</b>
Tracer 900 GT	2018 - 2019	RN57	Tracer 900 GT (MTT850D)	e13*168/2013*00286	<b>B-F16</b>	<b>C-V44</b>	<b>YMT1127</b>
XTZ690 U	2019 →	DM08	Tenere' 700 ( A2 )	e13*168/2014*00649	<b>B-F16</b>	<b>C-V44</b>	<b>YMT1127</b>
XTZ690 D-UB	2019 →	DM08	Tenere' 700 ( A2 )	e13*168/2014*00649	<b>B-F16</b>	<b>C-V44</b>	<b>YMT1127</b>
XTZ690	2019 →	DM07	Tenere' 700 ( A3 )	e13*168/2014*00648	<b>B-F16</b>	<b>C-V44</b>	<b>YMT1127</b>
XTZ690 D-B	2019 →	DM07	Tenere' 700 RALLY ( A3 )	e13*168/2014*00648	<b>B-F16</b>	<b>C-V44</b>	<b>YMT1127</b>
XJ6n	2009 - 2012	RJ19	XJ6n	e13*2002/24*0323	<b>B-F16</b>	<b>C-Y688</b>	<b>YF6127</b>
XJR 1300	2015 - 2019	RP19	XJR 1300	e13*2002/24*0168	-	-	-
XSR 700	2016 - 2019	RM11	XSR 700 (MTM690) (55 kW)	e13*168/2013*00003	<b>B-F16</b>	<b>C-V44</b>	<b>YMT1127</b>
XSR 700	2016 - 2019	RM12	XSR 700 (MTM690-U) (35 kW)	e13*168/2013*00004	<b>B-F16</b>	<b>C-V44</b>	<b>YMT1127</b>
XSR 900	2016 - 2019	RN43	XSR 900 (MTM850)	e13*168/2013*00002	<b>B-F16</b>	<b>C-V44</b>	<b>YMT1127</b>
YZF-R1 / SP	2004 - 2006	RN12	YZF-R1	e13*92/61*0084	<b>B-R104</b>	<b>C-Y688</b>	<b>YP6127</b>
YZF-R1	2007 - 2008	RN19	YZF-R1	e13*2002/24*0163	<b>B-R104</b>	<b>C-Y688</b>	<b>YP6127</b>
YZF-R1	2009 - 2014	RN22	YZF-R1	e13*2002/24*0325	<b>B-R19</b>	<b>C-Y688</b>	<b>YP6127-09</b>
YZF-R1 / M	2015 - 2016	RN32	YZF-R1	e13*2002/24*0740	<b>B-R15</b>	<b>C-Y688</b>	<b>YP1127-15</b>
YZF-R6	2005	RJ09(5)	YZF-R6	e13*92/61*0073	<b>B-R104</b>	<b>C-Y688</b>	<b>YP6127</b>
YZF-R6	2006 - 2007	RJ11	YZF-R6	e13*2002/24*0038	<b>B-R104</b>	<b>C-Y688</b>	<b>YP6127</b>
YZF-R6	2008 - 2016	RJ15	YZF-R6	e13*2002/24*0223	<b>B-R104</b>	<b>C-Y688</b>	<b>YP6127</b>
YZF-R6	2017 - 2019	RJ27	YZF-R6 (YZF 600)	e13*168/2013*00081	<b>B-R15</b>	<b>C-Y688</b>	<b>YP1127-15</b>

S22\_91927\*00